

403J-17T

Industrial Engine

EU Stage V / U.S EPA Tier 4 Final

18.4 kW / 24 hp

The 403J-17T is a turbocharged indirect injection industrial diesel engine that meets both EU Stage V and U.S. EPA Tier 4 Final without the need for electronic control, aftertreatment or exhaust gas recirculation. It is available with many factory configurable options to minimise the costs of machine development and of manufacturing.

Reliable power

The Perkins® 400 Series have been proven to deliver durable power. Manufactured in highly automated, modern production facilities they offer both the choice of wide range of factory configurable options whilst preserving high quality levels.

Tailored for your machines

The 403J-17T is one of four engine options from Perkins at 18.4 kW (24 hp) allowing OEMs to balance different installation, operating and commercial requirements. This model is particularly adapted to machines which need high torque, and good altitude capability.

Quiet

The stiff block and indirect injection system make this a quiet engine, minimising operator fatigue and saving money for OEMs in sound attenuation measures



Specification

Cylinders	3
Displacement litres	1.7
Aspiration	Turbocharged
Bore and stroke mm (in)	84 x 100 (3.3 x 3.94)
Maximum power kW (hp)	18.4 (24.7)
Rated speed (rpm)	2200 - 2800
Maximum torque Nm (lb ft) @ rpm	97.9 (75.7) @ 1600
Combustion system	Indirect injection
Weight kg (lb)	162 (357)
Rotation (viewed from flywheel)	Anti-clockwise

For more information please contact a Perkins distributor: <http://distributorlocator.perkins.com>

All information in this document is substantially correct at time of printing and may be altered subsequently.
Photographs are for illustrative purposes only and may not reflect final specification.
Final weight and dimensions will depend on completed specification.
Information subject to selected configuration, and subject to change without notice
Performance measured per ISO 14396
Publication No. PN3207/05/19 Produced in England ©2019 Perkins Engines Company Limited

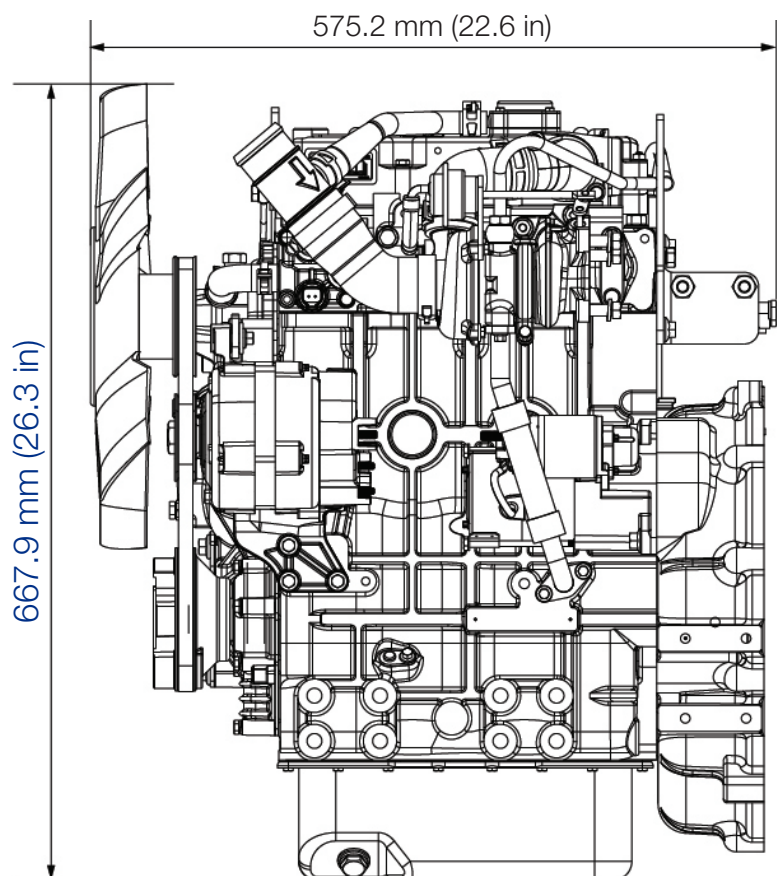
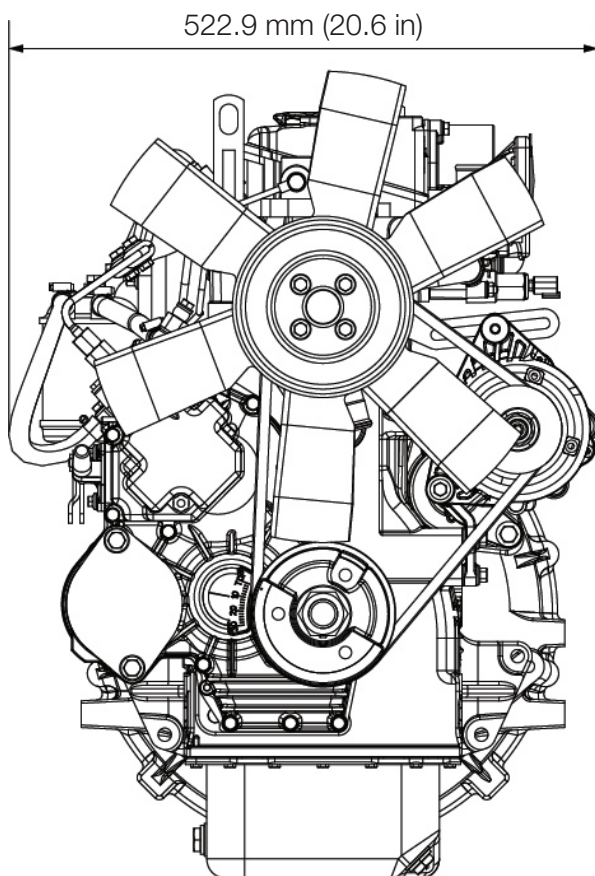
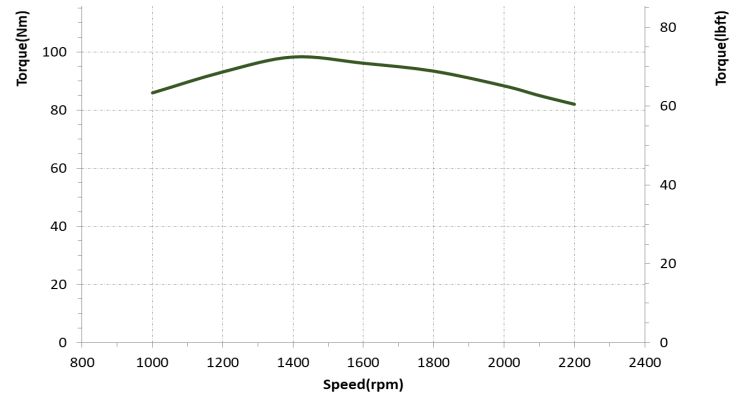
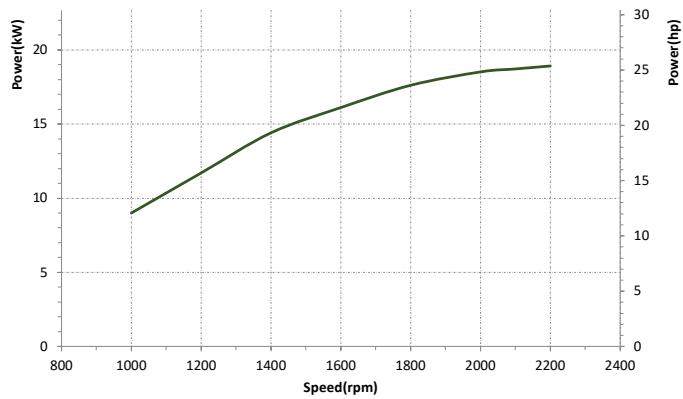
 **Perkins®**

403J-17T

Industrial Engine

EU Stage V / U.S EPA Tier 4 Final

18.4 kW / 24 hp



For more information please contact a Perkins distributor: <http://distributorlocator.perkins.com>

All information in this document is substantially correct at time of printing and may be altered subsequently. Photographs are for illustrative purposes only and may not reflect final specification. Final weight and dimensions will depend on completed specification. Information subject to selected configuration, and subject to change without notice. Performance measured per ISO 14396. Publication No. PN3207/05/19 Produced in England ©2019 Perkins Engines Company Limited

 **Perkins**[®]