

2606J-E13TA

EU Stage V/U.S. EPA Tier 4 Final/
Japan 2014/Korea Stage V

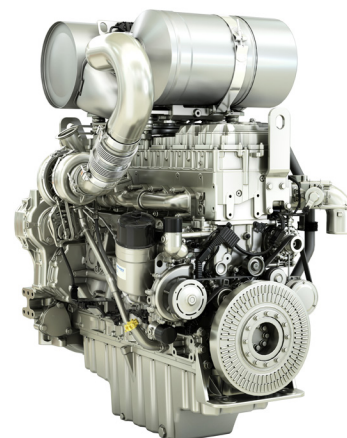
2606EA-E13TA

China Nonroad Stage IV

340-515 kW (456-690 hp)

The Perkins® 2606J-E13TA industrial engine is equipped with variable turbocharged, common rail direct injection technology, meeting EU Stage V, U.S. EPA Tier 4 Final and other equivalent emissions standards.

The 2606EA-E13TA meets China Nonroad Stage IV emissions standards. Identical performance across these certifications provides global customers a single source solution, streamlining design, installation, and service processes.



Features and benefits

Powerful performance

Focused on delivering power density and performance in a compact package, the 12.9 litre engine provides an impressive 40 kW/L (53.5 hp/L), at 0.45 kW/kg (0.27 hp/lb), making it an ideal choice for a broad range of options including agricultural, materials handling, construction, mining, aircraft ground support, and other industrial applications.

Optimised fuel consumption

Fuel consumption has been optimised to as low as 185 g/kW-hr through advanced control algorithms coupled with optimised electronic architecture (OEA), to match operating cycles for a wide range of ambient and altitude conditions, encouraging standardisation across numerous applications or OEM variants to help reduce your variety. In alignment with sustainability efforts, this engine is compatible with B20 biofuels and HVO, helping to reduce lifecycle CO₂ emissions, reduce costs of ownership, while improving performance.

Simplified maintenance

Service and maintenance have been simplified or completely removed via strategies including hydraulic lash adjusters (HLA), service-free integrated open crankcase ventilation (OCV) filtration, the removal of all loose washers, 5,000 hour diesel particulate filter (DPF) ash service intervals, and 1,000 hour oil and fuel change intervals.

Specification	
Cylinders	6 vertical in-line
Displacement, L (in ³)	12.9 (787.2)
Aspiration	Turbocharged aftercooled
Bore and stroke, mm (in)	130 × 162 (5.1 × 6.4)
Maximum power, kW (hp)	515 (690)
Rated speed, rpm	1800 - 2100
Maximum torque, Nm (lb ft) @ rpm	3200 (2360) @ 1300
Combustion system	Direct injection
Weight, kg (lb)	1154 (2544)
Rotation (viewed from flywheel)	Anti-clockwise

For more information please contact a Perkins distributor: <http://distributorlocator.perkins.com>

All information in this document is substantially correct at time of printing and may be altered subsequently.

Photographs are for illustrative purposes only and may not reflect final specification.

Final weight and dimensions will depend on completed specification.

Information subject to selected configuration, and subject to change without notice.

Engine power measured per ISO 14396:2002.

Ref: 100112-EN-01 (06/23) Produced in England ©2023 Perkins Engines Company Limited.

2606J-E13TA

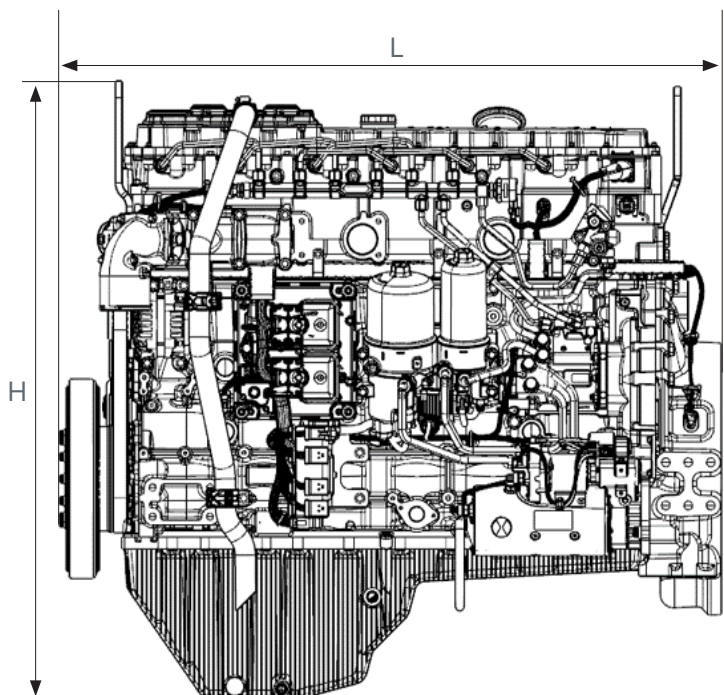
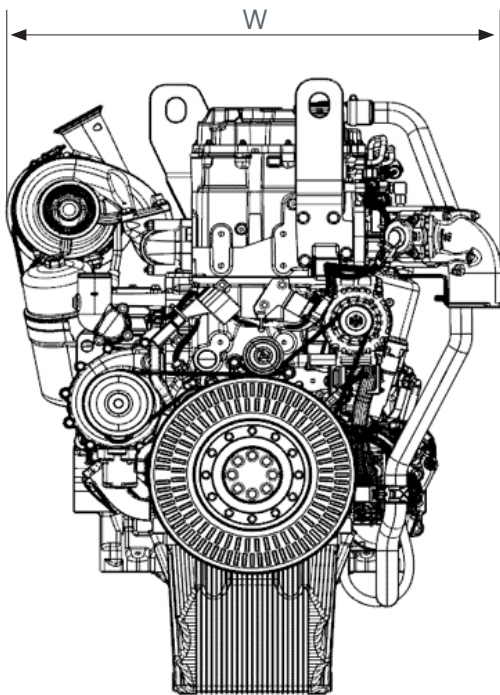
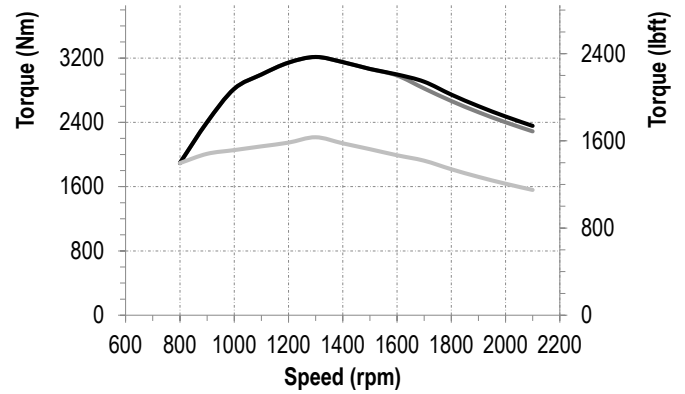
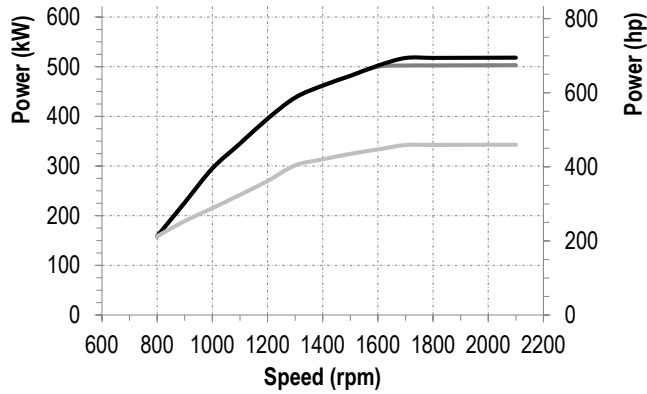
Industrial Engine

EU Stage V/U.S. EPA Tier 4 Final/
Japan 2014/Korea Stage V

2606EA-E13TA

China Nonroad Stage IV

340-515 kW (456-690 hp)



Dimensions and weight	
Length, mm (in)	1381 (54)
Width, mm (in)	969 (38)
Height, mm (in)	1273 (50)
Weight, kg (lb)	1154 (2544)

For more information please contact a Perkins distributor: <http://distributorlocator.perkins.com>

All information in this document is substantially correct at time of printing and may be altered subsequently. Photographs are for illustrative purposes only and may not reflect final specification. Final weight and dimensions will depend on completed specification. Information subject to selected configuration, and subject to change without notice. Engine power measured per ISO 14396:2002. Ref: 100112-EN-01 (06/23) Produced in England ©2023 Perkins Engines Company Limited.

