

2406J-E13TA

EU Stage V/U.S. EPA Tier 4 Final/
Japan 2014/Korea Stage V

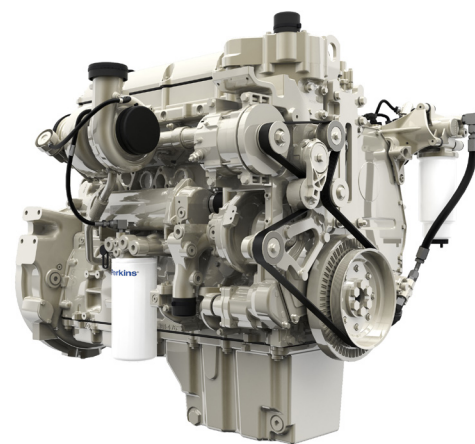
2406EA-E13TA

China Nonroad Stage IV

340-430 kW (456-577 hp)

The 2406J/EA-E13TA is a 6 cylinder, 12.5 litre engine capable of producing up to 430 kW (577 hp) of power and 2634 Nm (1943 lb-ft) of torque out of a compact, lightweight package.

The 2406J-E13TA is certified to EU Stage V/U.S. EPA Tier 4 Final, and other equivalent certifications. The 2406EA-E13TA is certified to China Nonroad (NR) Stage IV.



Features and benefits

Powerful performance

The 2406J/EA-E13TA offers outstanding power density up to 34 kW/L (46 hp/L) that allows OEMs to downsize their engine platform without sacrificing performance or reliability. It is designed to allow simple, low-cost installations with low heat rejection for optimal cooling package sizing and features like engine mounted aftertreatment and installed radiators from the factory to reduce installation cost.

Lowering the total cost of ownership

The 2406J/EA-E13TA utilises advanced technologies including a compact aftertreatment, non-EGR (exhaust gas recirculation) air system and the latest electronics - controlling all engine and aftertreatment systems with a single engine mounted control module - to provide high performance characteristics while lowering customers' cost of ownership.

Maximise uptime

Perkins design technology and high-efficiency SCR enable a compact, lightweight aftertreatment with simple installation requirements. Furthermore, thermal management was designed to provide transparent regeneration, without distraction to the operator or impact to machine performance.

Specification	
Cylinders	6 vertical in-line
Displacement, litres (in ³)	12.5 (762.8)
Aspiration	Turbocharged aftercooled
Bore and stroke, mm (in)	130 × 157 (5.1 × 6.2)
Maximum power, kW (hp)	4300 (577)
Rated speed, rpm*	1800-2100
Maximum torque, Nm (lb ft) @ rpm	2634 (1943) @ 1400 rpm
Combustion system	Direct injection (MEUI)
Weight, kg (lb)	1125 (2480)
Rotation (viewed from flywheel)	Anti-clockwise

*For China Nonroad Stage IV engines, a customer configurable rated speed is no longer offered due to regulation requirements. China NR IV requires new and in-use machine conformity checks. Please contact your A&I engineer for further details.

For more information please contact a Perkins distributor: <http://distributorlocator.perkins.com>

All information in this document is substantially correct at time of printing and may be altered subsequently.
Photographs are for illustrative purposes only and may not reflect final specification.
Final weight and dimensions will depend on completed specification.
Information subject to selected configuration, and subject to change without notice.
Engine power measured per ISO 14396:2002.
Ref: 100083-EN-01 (06/23) Produced in England ©2023 Perkins Engines Company Limited.

2406J-E13TA

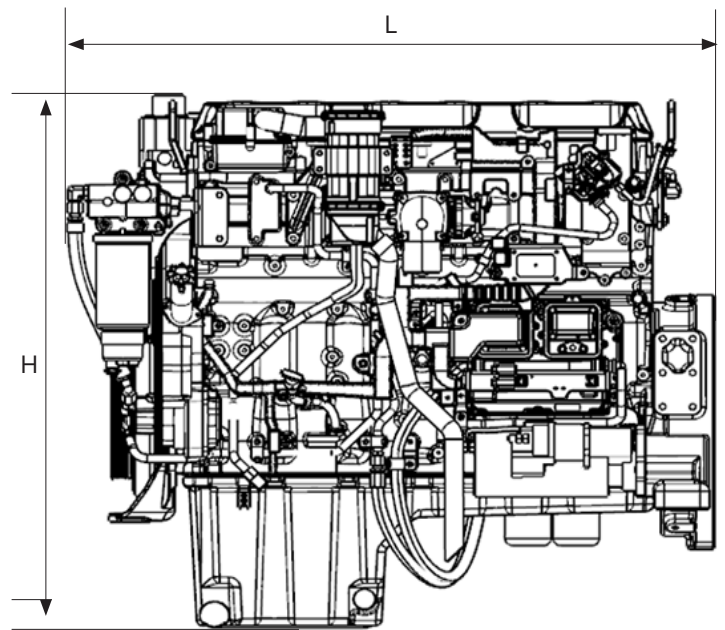
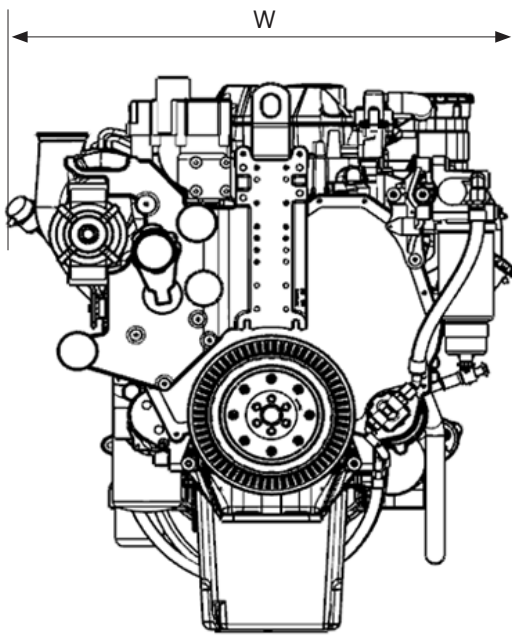
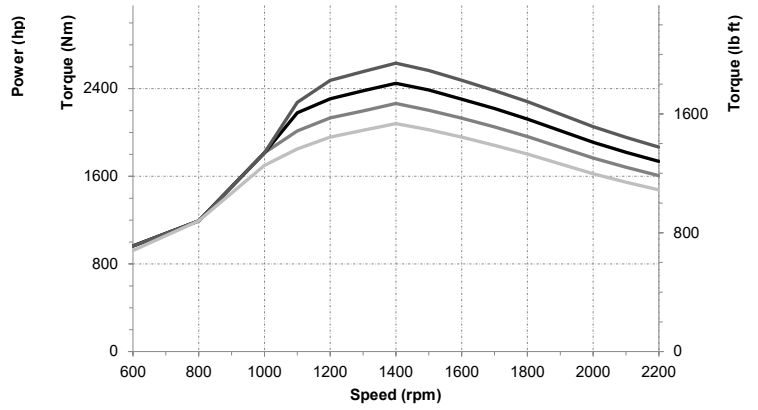
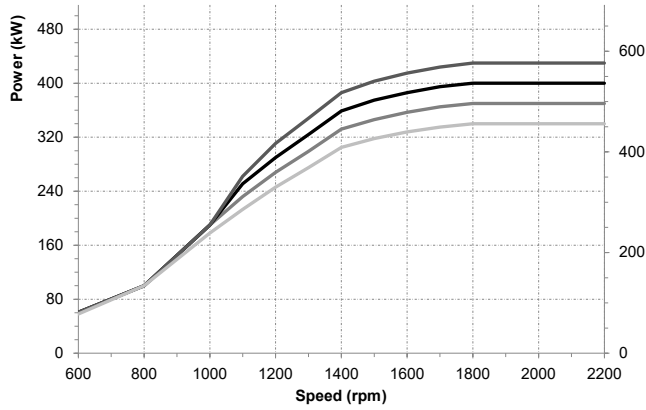
Industrial Engine

EU Stage V/U.S. EPA Tier 4 Final/
Japan 2014/Korea Stage V

2406EA-E13TA

China Nonroad Stage IV

340-430 kW (456-577 hp)



Dimensions and weights (base engine)	
Length, mm (in)	1274 (50)
Width, mm (in)	994 (39)
Height, mm (in)	1134 (45)
Weight, kg (lb)	1125 (2480)

For more information please contact a Perkins distributor: <http://distributorlocator.perkins.com>

All information in this document is substantially correct at time of printing and may be altered subsequently. Photographs are for illustrative purposes only and may not reflect final specification. Final weight and dimensions will depend on completed specification. Information subject to selected configuration, and subject to change without notice. Engine power measured per ISO 14396:2002. Ref: 100083-EN-01 (06/23) Produced in England ©2023 Perkins Engines Company Limited.

